

DC-DC CONVERTER
V3 SERIES
D1 International



DC/DC Converter Quick Reference Guide



D1 INTERNATIONAL INC.

ALL DC-DC CONVERTERS FEATURE:

◆ REGULATED OUTPUT(S) ◆ PI INPUT FILTER ◆ LOW RIPPLE & NOISE

Input Voltage (VDC)					Output Voltage (VDC)	Output Current (mA DC)
5	12	24	28	48		
2A01 2A02 2A03 2A04 2A05	2A11 2A12 2A13 2A14 2A15	2A21 2A22 2A23 2A24 2A25	2A31 2A32 2A33 2A34 2A35	2A41 2A42 2A43 2A44 2A45	5 12 15 ±12 ±15	300 125 100 ±60 ±50

◆ 1.5W Isolated Output
 ◆ 24 Pin DIP Package
 ◆ Regulated Outputs
 ◆ 50% Efficiency
 ◆ Pi Input filter
 ◆ Low Ripple and Noise

Input Voltage (VDC)				Output Voltage (VDC)	Output Current (mA DC)
4.5 - 6.0	9 - 18	18 - 36	36 - 72		
3A01 3A02 3A03 3A04 3A05 3A06 3A07	3A11 3A12 3A13 3A14 3A15 3A16 3A17	3A21 3A22 3A23 3A24 3A25 3A26 3A27	3A31 3A32 3A33 3A34 3A35 3A36 3A37	5 12 15 ±5 ±12 ±15 3.3	600 250 200 ±300 ±125 ±100 600

◆ 3W Isolated Output
 ◆ 24 Pin DIP Package
 ◆ Regulated Outputs
 ◆ 2:1 Input Range
 ◆ Up to 80% Efficiency
 ◆ Pi Input Filter
 ◆ Continuous Short Circuit Protection
 ◆ UL Available

Input Voltage (VDC)			Output Voltage (VDC)	Output Current (mA DC)
9 - 18	18 - 36	36 - 72		
3AB11 3AB12 3AB13 3AB14 3AB15 3AB16 3AB17	3AB21 3AB22 3AB23 3AB24 3AB25 3AB26 3AB27	3AB31 3AB32 3AB33 3AB34 3AB35 3AB36 3AB37	5 12 15 ±5 ±12 ±15 3.3	600 250 200 ±300 ±125 ±100 600

◆ 3W Isolated Output
 ◆ 24 Pin DIP Package
 ◆ Regulated Outputs
 ◆ 2:1 Input Range
 ◆ Up to 80% Efficiency
 ◆ Pi Input Filter
 ◆ Continuous Short Circuit Protection
 ◆ Meets Conductive EMI EN5502, Class B
 ◆ Remote ON/OFF Option
 ◆ UL Available

Input Voltage (VDC)					Output Voltage (VDC)	Output Current (mA DC)
5	12	24	28	48		
3AE01M 3AE02M 3AE03M 3AE04M 3AE05M	3AE11M 3AE12M 3AE13M 3AE14M 3AE15M	3AE21M 3AE22M 3AE23M 3AE24M 3AE25M	3AE31M 3AE32M 3AE33M 3AE34M 3AE35M	3AE41M 3AE42M 3AE43M 3AE44M 3AE45M	5 12 15 ±12 ±15	600 250 200 ±125 ±100

◆ 3W Isolated Output
 ◆ 24 Pin DIP Package
 ◆ Regulated Outputs
 ◆ Efficiency TO 61%
 ◆ Pi Input filter
 ◆ Continuous Short Circuit Protection
 ◆ Metal Case
 ◆ Low Ripple and Noise

ALL DC-DC CONVERTERS FEATURE:

◆ REGULATED OUTPUT(S) ◆ PI INPUT FILTER ◆ LOW RIPPLE & NOISE

SEE
CASE
DRAWINGS
ON
PAGES 10
and 11

Input Voltage (VDC)		Output Voltage (VDC)	Output Current (mA DC)
9 - 36	18 - 72		
3AW01	3AW11	5	600
3AW02	3AW12	12	250
3AW03	3AW13	15	200
3AW04	3AW14	±5	±300
3AW05	3AW15	±12	±125
3AW06	3AW16	±15	±100
3AW07	3AW17	3.3	600

- ◆ 3W Isolated Output
- ◆ 24 Pin DIP Package
- ◆ 4:1 Input Range
- ◆ Up to 80% Efficiency
- ◆ Pi Input Filter
- ◆ Continuous Short Circuit Protection
- ◆ Regulated Outputs

Input Voltage (VDC)			Output Voltage (VDC)	Output Current (mA DC)
9 - 18	18 - 36	36 - 72		
4A01	4A11	4A21	5	1000
4A02	4A12	4A22	12	470
4A03	4A13	4A23	15	400
4A04	4A14	4A24	±12	±230
4A05	4A15	4A25	±15	±190
4A06	4A16	4A26	±5	±500
4A07	4A17	4A27	3.3	1000

- ◆ 5 - 6W Isolated Output
- ◆ 24 Pin DIP Package
- ◆ Regulated Outputs
- ◆ 2:1 Input Range
- ◆ Efficiency up to 82%
- ◆ Pi Input Filter
- ◆ Continuous Short Circuit Protection
- ◆ UL Available

Input Voltage (VDC)			Output Voltage (VDC)	Output Current (mA DC)
9 - 18	18 - 36	36 - 72		
4AB01	4AB11	4AB21	5	1000
4AB02	4AB12	4AB22	12	470
4AB03	4AB13	4AB23	15	400
4AB04	4AB14	4AB24	±12	±230
4AB05	4AB15	4AB25	±15	±190
4AB06	4AB16	4AB26	±5	±500
4AB07	4AB17	4AB27	3.3	1000

- ◆ 5 - 6W Isolated Output
- ◆ 24 Pin DIP Package
- ◆ Regulated Outputs
- ◆ 2:1 Input Range
- ◆ Efficiency up to 82%
- ◆ Pi Input Filter
- ◆ Continuous Short Circuit Protection
- ◆ UL Available
- ◆ Conductive EMI meets EN55022. Class B
- ◆ Remote ON/OFF Option

Input Voltage (VDC)		Output Voltage (VDC)	Output Current (mA DC)
9 - 36	18 - 72		
4AW01	4AW11	5	1000
4AW02	4AW12	12	470
4AW03	4AW13	15	400
4AW04	4AW14	±12	±230
4AW05	4AW15	±15	±190
4AW06	4AW16	±5	±500
4AW07	4AW17	3.3	1000

- ◆ 5 - 6W Isolated Output
- ◆ 24 Pin DIP Package
- ◆ 4:1 Input Range
- ◆ Up to 80% Efficiency
- ◆ Pi Input Filter
- ◆ Continuous Short Circuit Protection
- ◆ Regulated Outputs



D1 INTERNATIONAL INC.

95 East Main St., Huntington, NY 11743
 631-673-6866 Fax: 631-673-6893
 e-mail: sales@d1international.com
 www.d1international.com

ALL DC-DC CONVERTERS FEATURE:

◆ REGULATED OUTPUT(S) ◆ PI INPUT FILTER ◆ LOW RIPPLE & NOISE

5A Series - 6 to 24 Watts - Efficiency to 94% - Case A

Model Number	Input Voltage (VDC)	Output Voltage (VDC)	Output Current (mA DC)
5A-05S33	4.7 - 6	3.3	2000
5A-12S33	9 - 32	3.3	2000
5A-12S05	9 - 32	5	2000
5A-12S12	9 - 32	12	830
5A-12S15	9 - 32	15	666
5A-24S12	16 - 32	12	1600
5A-24S15	19 - 32	15	1600

- ◆ 6 - 24 W Non-Isolated Output
- ◆ 24 Pin DIP Package
- ◆ Input LC Filter
- ◆ Efficiency to 94%
- ◆ Regulated Outputs
- ◆ Five-sided Shield

6A Series - 7.5 Watts - Efficiency to 83% - Case A

Input Voltage (VDC)			Output Voltage (VDC)	Output Current (mA DC)
9 - 18	18 - 36	36 - 72		
6A01	6A11	6A21	5	1500
6A02	6A12	6A22	12	625
6A03	6A13	6A23	15	500
6A04	6A14	6A24	±5	±750
6A05	6A15	6A25	±12	±310
6A06	6A16	6A26	±15	±250
6A07	6A17	6A27	3.3	1500

- ◆ 7.5W Isolated Output
- ◆ 24 Pin DIP Package
- ◆ Regulated Outputs
- ◆ 2:1 Input Range
- ◆ Efficiency up to 83%
- ◆ Pi Input Filter
- ◆ Continuous Short Circuit Protection
- ◆ Five-sided Shield

3B Series - 7.5 Watts - Efficiency to 82% - Case B

Input Voltage (VDC)			Output Voltage (VDC)	Output Current (mA DC)
9 - 18	18 - 36	36 - 72		
3B01	3B11	3B21	5	1500
3B02	3B12	3B22	12	625
3B03	3B13	3B23	15	500
3B04	3B14	3B24	±12	±310
3B05	3B15	3B25	±15	±250
3B06	3B16	3B26	±5	±750
3B07	3B17	3B27	3.3	1500

- ◆ 7.5W Isolated Output
- ◆ 24 Pin DIP Package
- ◆ Regulated Outputs
- ◆ 2:1 Input Range
- ◆ Efficiency up to 82%
- ◆ Pi Input Filter
- ◆ Continuous Short Circuit Protection
- ◆ Six-sided Shield

3BB Series - 7.5 Watts - Efficiency to 82% - Case B

Input Voltage (VDC)			Output Voltage (VDC)	Output Current (mA DC)
9 - 18	18 - 36	36 - 72		
3BB01	3BB11	3BB21	5	1500
3BB02	3BB12	3BB22	12	625
3BB03	3BB13	3BB23	15	500
3BB04	3BB14	3BB24	±12	±310
3BB05	3BB15	3BB25	±15	±250
3BB06	3BB16	3BB26	±5	±750
3BB07	3BB17	3BB27	3.3	1500

- ◆ 7.5W Isolated Output
- ◆ 24 Pin DIP Package
- ◆ Regulated Outputs
- ◆ 2:1 Input Range
- ◆ Efficiency up to 82%
- ◆ Pi Input Filter
- ◆ Continuous Short Circuit Protection
- ◆ Remote ON/OFF Option
- ◆ Meets conductive EMI EN5502 Class B
- ◆ Six-sided Shield

ALL DC-DC CONVERTERS FEATURE:

◆ REGULATED OUTPUT(S) ◆ PI INPUT FILTER ◆ LOW RIPPLE & NOISE

4B Series - 10 Watts - Efficiency to 82% - Case B

Input Voltage (VDC)				Output Voltage (VDC)	Output Current (mA DC) (For Input 4.7-9V)	Output Current (mA DC) (For Inputs 9-18V, 18-36V & 36-72V)	◆ 10W Isolated Output ◆ 2:1 Input Range ◆ Up to 82% Efficiency ◆ Pi Input Filter ◆ Continuous Short Circuit Protection ◆ Meets Conductive EMI EN55022 Class A ◆ Six sided Shield
4.7 - 9	9 - 18	18 - 36	36 - 72				
4B31	4B01	4B11	4B21	5	1600	2000	
4B32	4B02	4B12	4B22	12	666	830	
4B33	4B03	4B13	4B23	15	533	666	
4B34	4B04	4B14	4B24	±12	±333	±415	
4B35	4B05	4B15	4B25	±15	±266	±333	
4B36	4B06	4B16	4B26	±5	±800	±1000	

4BE Series - 10 Watts - Efficiency to 82% - Case B

Input Voltage (VDC)			Output Voltage (VDC)	Output Current (mA DC)	◆ 10W Isolated Output ◆ 2:1 Input Range ◆ Efficiency up to 82% ◆ Pi Input Filter ◆ Continuous Short Circuit Protection ◆ Meets Conductive EMI EN55022 Class A ◆ UL Available ◆ Six sided Shield
9 - 18	18 - 36	36 - 72			
4BE01	4BE11	4BE21	5	2000	
4BE02	4BE12	4BE22	12	830	
4BE03	4BE13	4BE23	15	666	
4BE04	4BE14	4BE24	±12	±415	
4BE05	4BE15	4BE25	±15	±333	
4BE06	4BE16	4BE26	±5	±1000	

4BW Series - 10 Watts - Efficiency to 82% - Case B

Input Voltage (VDC)		Output Voltage (VDC)	Output Current (mA DC)	◆ 10W Isolated Output ◆ 4:1 Input Range ◆ Up to 82% Efficiency ◆ Pi Input Filter ◆ Continuous Short Circuit Protection ◆ Meets Conductive EMI EN55022 Class A ◆ Six sided Shield
9 - 36	18 - 72			
4BW01	4BW11	5	2000	
4BW02	4BW12	12	830	
4BW03	4BW13	15	666	
4BW04	4BW14	±12	±415	
4BW05	4BW15	±15	±333	
4BW06	4BW16	±5	±1000	
4BW07	4BW17	3.3	2000	

SEE
CASE
DRAWINGS
ON
PAGES 10
and 11

5B Series - 15 Watts - Efficiency to 82% - Case B

Input Voltage (VDC)			Output Voltage (VDC)	Output Current (mA DC)	◆ 15W Isolated Output ◆ 2:1 Input Range ◆ Efficiency up to 82% ◆ Pi Input Filter ◆ Continuous Short Circuit Protection ◆ Meets Conductive EMI EN55022 Class A ◆ Six sided Shield
9 - 18	18 - 36	36 - 72			
5B01	5B11	5B21	5	3000	
5B02	5B12	5B22	12	1250	
5B03	5B13	5B23	15	1000	
5B04	5B14	5B24	±12	±625	
5B05	5B15	5B25	±15	±500	
5B06	5B16	5B26	±5	±1500	
5B07	5B17	5B27	3.3	3000	



D1 INTERNATIONAL INC.

95 East Main St., Huntington, NY 11743
631-673-6866 Fax: 631-673-6893
e-mail: sales@d1international.com
www.d1international.com

ALL DC-DC CONVERTERS FEATURE:

◆ REGULATED OUTPUT(S) ◆ PI INPUT FILTER ◆ LOW RIPPLE & NOISE

5BE Series - 15 Watts - Efficiency to 83% - Case B

Input Voltage (VDC)			Output Voltage (VDC)	Output Current (mA DC)
9 - 18	18 - 36	36 - 72		
5BE01	5BE11	5BE21	5	3000
5BE02	5BE12	5BE22	12	1250
5BE03	5BE13	5BE23	15	1000
5BE04	5BE14	5BE24	±12	±625
5BE05	5BE15	5BE25	±15	±500
5BE06	5BE16	5BE26	±5	±1500
5BE07	5BE17	5BE27	3.3	3000

- ◆ 15W Isolated Output
- ◆ 2:1 Input Range
- ◆ Efficiency up to 83%
- ◆ Continuous Short Circuit Protection
- ◆ Meets Conductive EMI EN55022 Class A
- ◆ Remote On/Off Option
- ◆ Six sided Shield

6B Series - 7.2 to 20 Watts - Efficiency to 88% - Case B

Model Number	Input Voltage (VDC)	Output Voltage (VDC)	Output Current (mA DC)
6B-05S12	4.5 - 5.5	1.2	6000
6B-05S21	4.5 - 5.5	2.1	6000
6B-05S25	4.5 - 5.5	2.5	6000
6B-05S33	4.5 - 5.5	3.3	6000

- ◆ 20W Non-Isolated Output
- ◆ Over Current Protection
- ◆ Efficiency to 88%
- ◆ Regulated Outputs
- ◆ Under Input Voltage Protection
- ◆ Constant Frequency
- ◆ Output Voltage Adjustment
- ◆ Remote On/Off
- ◆ Six sided Shield

7B Series - 20 Watts - Efficiency to 86% - Case B

Input Voltage (VDC)		Output Voltage (VDC)	Output Current (mA DC)
18 - 36	36 - 72		
7B11	7B21	2.5	5000
7B12	7B22	3.3	5000
7B13	7B23	5	4000

- ◆ 20W Isolated Output
- ◆ 2:1 Input Range
- ◆ Up to 86% Efficiency
- ◆ Pi Input Filter
- ◆ Continuous Short Circuit Protection
- ◆ Remote On/Off Option
- ◆ Six-sided Shield

SEE
CASE
DRAWINGS
ON
PAGES 10
and 11

1SC Series - 20 Watts - Efficiency to 84% - Case SC

Input Voltage (VDC)		Output Voltage (VDC)	Output Current (mA DC)
9 - 36	18 - 72		
1SC01	1SC11	5	4000
1SC02	1SC12	12	1670
1SC03	1SC13	15	1330
1SC04	1SC14	±12	±833
1SC05	1SC15	±15	±666
1SC06	1SC16	±5	±2000
1SC07	1SC17	3.3	±4000

- ◆ 20W Isolated Output
- ◆ 4:1 Input Range
- ◆ Up to 84% Efficiency
- ◆ Pi Input Filter
- ◆ Continuous Short Circuit Protection
- ◆ Meets Conductive EMI EN55022 Class A
- ◆ Remote On/Off Control
- ◆ Six-sided Shield

ALL DC-DC CONVERTERS FEATURE:

◆ REGULATED OUTPUT(S) ◆ PI INPUT FILTER ◆ LOW RIPPLE & NOISE

2C Series - 5- 6 Watts - 60% Efficiency - Case C

Input Voltage (VDC)					Output Voltage (VDC)	Output Current (mA DC)	<ul style="list-style-type: none"> ◆ 5 - 6W Isolated Output ◆ High Performance ◆ Regulated Outputs ◆ 60% Efficiency ◆ Pi Input filter ◆ Low Ripple and Noise ◆ Six sided Shield
5	12	24	28	48			
2C01	2C11	2C21	2C31	2C41	5	1000	
2C02	2C12	2C22	2C32	2C42	12	470	
2C03	2C13	2C23	2C33	2C43	15	400	
2C04	2C14	2C24	2C34	2C44	±12	±230	
2C05	2C15	2C25	2C35	2C45	±15	±190	

3C Series - 15 Watts - Efficiency to 82% - Case C

Input Voltage (VDC)			Output Voltage (VDC)	Output Current (mA DC)	<ul style="list-style-type: none"> ◆ 15W Isolated Output ◆ 2:1 Input Range ◆ Efficiency up to 82% ◆ Six-Sided Shield ◆ 200KHz Switching Frequency ◆ Short Circuit Protection
9 - 18	18 - 36	36 - 72			
3C01	3C11	3C21	5	3000	
3C02	3C12	3C22	12	1250	
3C03	3C13	3C23	15	1000	
3C04	3C14	3C24	±12	±625	
3C05	3C15	3C25	±15	±500	
3C06	3C16	3C26	±5	±1500	
3C07	3C17	3C27	3.3	3000	

3CB Series - 15 Watts - Efficiency to 82% - Case C

Input Voltage (VDC)			Output Voltage (VDC)	Output Current (mA DC)	<ul style="list-style-type: none"> ◆ 15W Isolated Output ◆ 2:1 Input Range ◆ Efficiency up to 82% ◆ Six-Sided Shield ◆ 200KHz Switching Frequency ◆ Regulated Outputs ◆ Pi Input Filter ◆ Continuous Short Circuit Protection ◆ Meets Conductive EMI EN55022 Class B ◆ Six-sided Shield
9 - 18	18 - 36	36 - 72			
3CB01	3CB11	3CB21	5	3000	
3CB02	3CB12	3CB22	12	1250	
3CB03	3CB13	3CB23	15	1000	
3CB04	3CB14	3CB24	±12	±625	
3CB05	3CB15	3CB25	±15	±500	
3CB06	3CB16	3CB26	±5	±1500	
3CB07	3CB17	3CB27	3.3	3000	

4C Series - 5 - 6 Watts - Efficiency to 79% - Case C

Input Voltage (VDC)			Output Voltage (VDC)	Output Current (mA DC)	<ul style="list-style-type: none"> ◆ 5 - 6 W Isolated Output ◆ 2:1 Input Range ◆ Efficiency up to 79% ◆ 200KHz Switching Frequency ◆ Six-sided Shield ◆ Short Circuit Protection
9 - 18	18 - 36	36 - 72			
4C01	4C11	4C21	5	1000	
4C02	4C12	4C22	12	470	
4C03	4C13	4C23	15	400	
4C04	4C14	4C24	±12	±230	
4C05	4C15	4C25	±15	±190	



D1 INTERNATIONAL INC.

95 East Main St., Huntington, NY 11743
 631-673-6866 Fax: 631-673-6893
 e-mail: sales@d1international.com
 www.d1international.com

ALL DC-DC CONVERTERS FEATURE:

◆ REGULATED OUTPUT(S) ◆ PI INPUT FILTER ◆ LOW RIPPLE & NOISE

4CE Series - 5 - 6 Watts - Efficiency to 82% - Case C

Input Voltage (VDC)			Output Voltage (VDC)	Output Current (mA DC)
9 - 18	18 - 36	36 - 72		
4CE01	4CE11	4CE21	5	1000
4CE02	4CE12	4CE22	12	470
4CE03	4CE13	4CE23	15	400
4CE04	4CE14	4CE24	±12	±230
4CE05	4CE15	4CE25	±15	±190

- ◆ 5 - 6 W Isolated Output
- ◆ 2:1 Input Range
- ◆ Efficiency up to 82%
- ◆ Pi Input Filter
- ◆ Continuous Short Circuit Protection
- ◆ Regulated Outputs

5C Series - 15 Watts - Efficiency to 82% - Case C

Input Voltage (VDC)		Output Voltage (VDC)	Output Current (mA DC)
9 - 36	18 - 72		
5C01	5C11	5	3000
5C02	5C12	12	1250
5C03	5C13	15	1000
5C04	5C14	±5	±1500
5C05	5C15	±12	±625
5C06	5C16	±15	±500
5C07	5C17	5/±12	1500/±310
5C08	5C18	5/±15	1500/±250
5C09	5C19	3.3	3000

- ◆ 15W Isolated Output
- ◆ 4:1 Input Range
- ◆ Up to 82% Efficiency
- ◆ Six Sided Shield
- ◆ Remote On/Off Control
- ◆ UL Available
- ◆ Continuous Short Circuit Protection

**SEE
CASE
DRAWINGS
ON
PAGES 10
and 11**

6C Series - 25 - 30 Watts - Efficiency to 85% - Case C

Input Voltage (VDC)			Output Voltage (VDC)	Output Current (mA DC)
9 - 18	18 - 36	36 - 72		
6C01	6C11	6C21	5	5000
6C02	6C12	6C22	12	2500
6C03	6C13	6C23	15	2000
6C04	6C14	6C24	±5	±2500
6C05	6C15	6C25	±12	±1250
6C06	6C16	6C26	±15	±1000
6C07	6C17	6C27	5/±12	3500/±310
6C08	6C18	6C28	5/±15	3500/±250
6C09	6C19	6C29	3.3	5000

- ◆ 25 - 30W Isolated Output
- ◆ 2:1 Input Range
- ◆ Up to 85% Efficiency
- ◆ Six Sided Shield
- ◆ Remote On/Off Control
- ◆ UL Available
- ◆ Continuous Short Circuit Protection

2EE Series - 15 Watts - Efficiency to 84% - Case E

Input Voltage (VDC)			Output Voltage (VDC)	Output Current (mA DC)
9 - 18	18 - 36	36 - 72		
2EE01	2EE11	2EE21	5	3000
2EE02	2EE12	2EE22	12	1250
2EE03	2EE13	2EE23	15	1000
2EE04	2EE14	2EE24	±12	±625
2EE05	2EE15	2EE25	±15	±500
2EE06	2EE16	2EE26	5/±12	1500/±310
2EE07	2EE17	2EE27	5/±15	1500/±250
2EE08	2EE18	2EE28	+5/+12/-5	1500/310/-500

- ◆ 15W Isolated Output
- ◆ 2:1 Input Range
- ◆ Up to 84% Efficiency
- ◆ Six Sided Shield
- ◆ 200KHz Switching Frequency
- ◆ Remote On/Off Control
- ◆ Continuous Short Circuit Protection

ALL DC-DC CONVERTERS FEATURE:

◆ REGULATED OUTPUT(S) ◆ PI INPUT FILTER ◆ LOW RIPPLE & NOISE

4EE Series - 15 Watts - Efficiency to 82% - Case E

Input Voltage (VDC)		Output Voltage (VDC)	Output Current (mA DC)	<ul style="list-style-type: none"> ◆ 15W Isolated Output ◆ 4:1 Input Range ◆ Up to 82% Efficiency ◆ Six Sided Shield ◆ 200KHz Switching Frequency ◆ Remote On/Off Control ◆ Continuous Short Circuit Protection
9 - 36	18 - 72			
4EE01	4EE11	5	3000	
4EE02	4EE12	12	1250	
4EE03	4EE13	15	1000	
4EE04	4EE14	±12	±625	
4EE05	4EE15	±15	±500	
4EE06	4EE16	5/±12	1500/±310	
4EE07	4EE17	5/±15	1500/±250	
4EE08	4EE18	+5/+12/-5	1500/310/-500	

5E Series - 25 - 30 Watts - Efficiency to 84% - Case E

Input Voltage (VDC)			Output Voltage (VDC)	Output Current (mA DC)	<ul style="list-style-type: none"> ◆ 25 - 30W Isolated Output ◆ 2:1 Input Range ◆ Up to 84% Efficiency ◆ Six Sided Shield ◆ 200KHz Switching Frequency ◆ Remote On/Off Control ◆ Continuous Short Circuit Protection
9 - 18	18 - 36	36 - 72			
5E01	5E11	5E21	5	5000	
5E02	5E12	5E22	12	2500	
5E03	5E13	5E23	15	2000	
5E04	5E14	5E24	±12	±1250	
5E05	5E15	5E25	±15	±1000	
5E06	5E16	5E26	5/±12	3000/±625	
5E07	5E17	5E27	5/±15	3000/±500	
5E08	5E18	5E28	+5/+12/-5	3000/600/-1000	

6E Series -25 - 30 Watts - Efficiency to 84% - Case E

Input Voltage (VDC)		Output Voltage (VDC)	Output Current (mA DC)	<ul style="list-style-type: none"> ◆ 25 - 30W Isolated Output ◆ 4:1 Input Range ◆ Up to 84% Efficiency ◆ Six Sided Shield ◆ 200KHz Switching Frequency ◆ Remote On/Off Control
9 - 36	18 - 72			
6E01	6E11	5	5000	
6E02	6E12	12	2500	
6E03	6E13	15	2000	
6E04	6E14	±12	±1250	
6E05	6E15	±15	±1000	
6E06	6E16	5/±12	3000/±625	
6E07	6E17	5/±15	3000/±500	
6E08	6E18	+5/+12/-5	3000/600/-1000	

SEE
CASE
DRAWINGS
ON
PAGES 10
and 11

QB75 Series - 50 to 75 Watt Wide Input - Efficiency to 90% - Case QB

Model Number	Input Voltage (VDC)	Output Voltage (VDC)	Output Current (Amps DC)	<ul style="list-style-type: none"> ◆ 50 - 75W Isolated Output ◆ 300KHz Switching Frequency ◆ Efficiency to 90% ◆ Regulated Outputs ◆ 2:1 Input Range ◆ Continuous Short Circuit Protection ◆ Five-sided Metal Case ◆ Quarter-Brick Size Meets Industrial Standard ◆ UL Listed
QB75-48S18	36 - 75	1.8	0.5 - 25	
QB75-48S25	36 - 75	2.5	0.5 - 25	
QB75-48S33	36 - 75	3.3	0.5 - 20	
QB75-48S05	36 - 75	5	0.5 - 15	



D1 INTERNATIONAL INC.

95 East Main St., Huntington, NY 11743
631-673-6866 Fax: 631-673-6893
e-mail: sales@d1international.com
www.d1international.com

ALL DC-DC CONVERTERS FEATURE:

- ◆ REGULATED OUTPUT(S) ◆ PI INPUT FILTER ◆ LOW RIPPLE & NOISE

HB50 Series - 25 to 50 Watt Wide Input- Efficiency to 85% - Case HB

Input Voltage (VDC)			Output Voltage (VDC)	Output Current (Amps DC)	<ul style="list-style-type: none"> ◆ 25 -50W Isolated Output ◆ 2:1 Input Range ◆ Efficiency up to 85% ◆ 300KHz Switching Frequency ◆ Continuous Short Circuit Protection ◆ Regulated Output ◆ Half-Brick Size Meets Industrial Standards ◆ Five-sided Metal Case ◆ UL Listed
9 - 18	18 - 36	36 - 75			
HB50-12S25	HB50-24S25	HB50-48S25	2.5	10	
HB50-12S33	HB50-24S33	HB50-48S33	3.3	10	
HB50-12S05	HB50-24S05	HB50-48S05	5	10	
HB50-12S12	HB50-24S12	HB50-48S12	12	4.16	
HB50-12S15	HB50-24S15	HB50-48S15	15	3.33	
HB50-12S24	HB50-24S24	HB50-48S24	24	2.08	

HB75 Series - 37.5 to 75 Watt Wide Input- Efficiency to 85% - Case HB

Input Voltage (VDC)			Output Voltage (VDC)	Output Current (Amps DC)	<ul style="list-style-type: none"> ◆ 37.5 -75W Isolated Output ◆ 2:1 Input Range ◆ Efficiency up to 85% ◆ 300KHz Switching Frequency ◆ Continuous Short Circuit Protection ◆ Regulated Output ◆ Half-Brick Size Meets Industrial Standards ◆ Five-sided Metal Case ◆ UL Listed
9 - 18	18 - 36	36 - 75			
HB75-12S25	HB75-24S25	HB75-48S25	2.5	15	
HB75-12S33	HB75-24S33	HB75-48S33	3.3	15	
HB75-12S05	HB75-24S05	HB75-48S05	5	15	
HB75-12S12	HB75-24S12	HB75-48S12	12	6.25	
HB75-12S15	HB75-24S15	HB75-48S15	15	5	
HB75-12S24	HB75-24S24	HB75-48S24	24	3.13	

V3 Series-Single Output-1KV Isolation

Input Voltage (VDC)			Output Voltage (VDC)	Output Current (mA DC)
5	12	24		
V3-0505	V3-1205	V3-2405	5	400
V3-0512	V3-1212	V3-2412	12	167
V3-0515	V3-1215	V3-2415	15	134

SS=SIP PACKAGE - DS=DIP PACKAGE

V3 Series-Dual Output-1KV Isolation

Input Voltage (VDC)			Output Voltage (VDC)	Output Current (mA DC)
5	12	24		
V3-0505	V3-1205	V3-2405	±5	±200
V3-057R2	V3-127R2	V3-247R2	±7.2	±139
V3-0512	V3-1212	V3-2412	±12	±84
V3-0515	V3-1215	V3-2415	±15	±67

S=SIP PACKAGE - D=DIP PACKAGE

V3 Series-Single Output-3KV Isolation

Input Voltage (VDC)			Output Voltage (VDC)	Output Current (mA DC)
5	12	24		
V3-0505	V3-1205	V3-2405	5	400
V3-0512	V3-1212	V3-2412	12	167
V3-0524	V3-1224	V3-2424	24	134

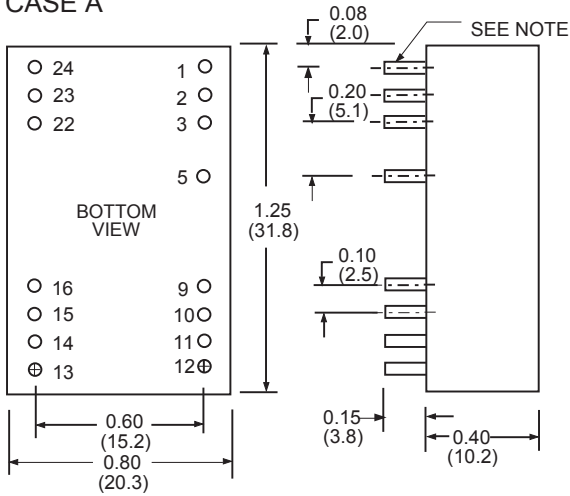
SSH=SIP PACKAGE - DSH=DIP PACKAGE

V3 Series-Dual Output-3KV Isolation

Input Voltage (VDC)			Output Voltage (VDC)	Output Current (mA DC)
5	12	24		
V3-0505	V3-1205	V3-2405	±5	±200
V3-057R2	V3-127R2	V3-247R2	±7.2	±139
V3-0512	V3-1212	V3-2412	±12	±84
V3-0515	V3-1215	V3-2415	±15	±67

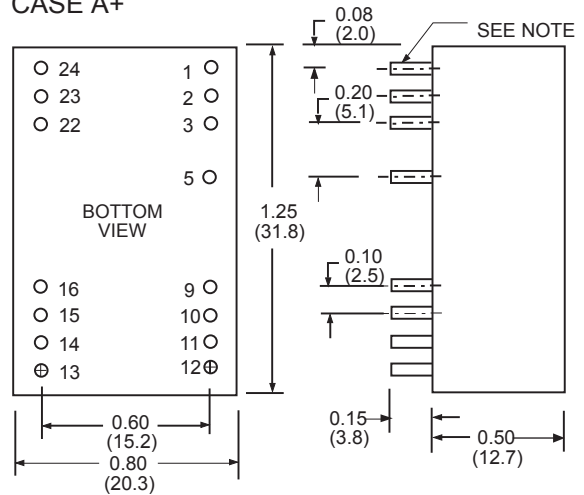
SH=SIP PACKAGE - DH=DIP PACKAGE

CASE A



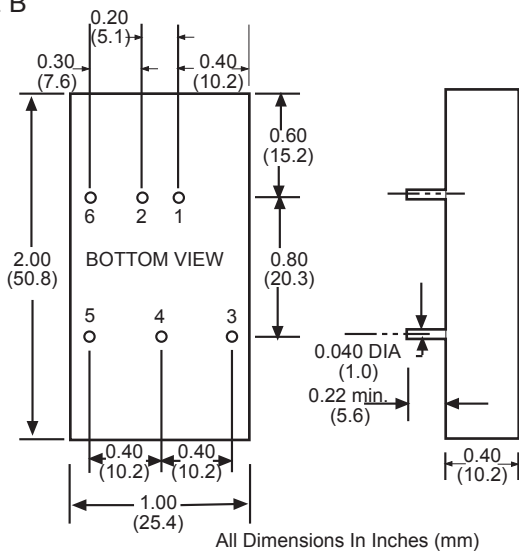
NOTE : Pin Size is 0.02" Inch (0.5mm) DIA or 0.02x0.14 Inch
All Dimensions In Inches(mm)

CASE A+



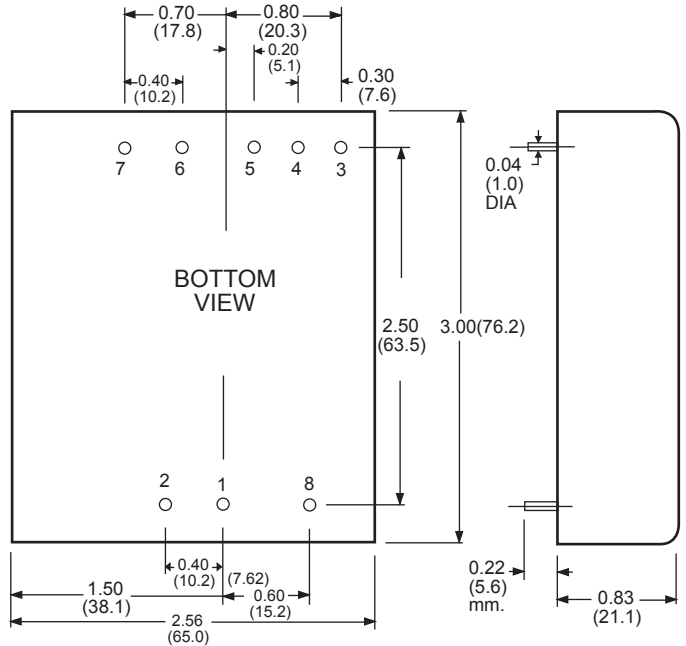
NOTE : Pin Size is 0.02" Inch (0.5mm) DIA or 0.02x0.14 Inch
All Dimensions In Inches(mm)

CASE B



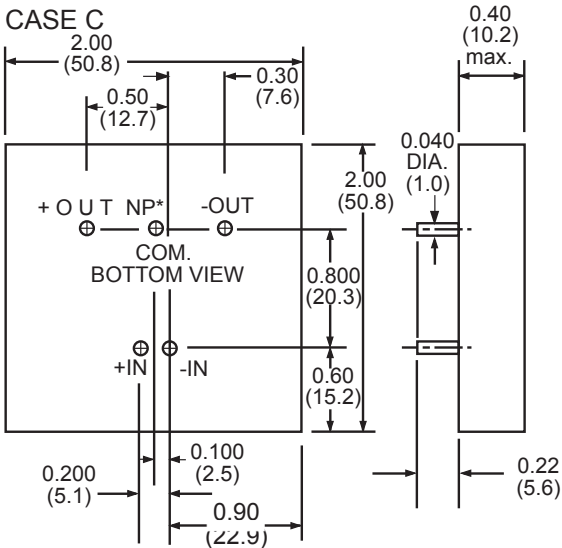
All Dimensions In Inches (mm)

CASE E



All Dimensions In Inches(mm)

CASE C

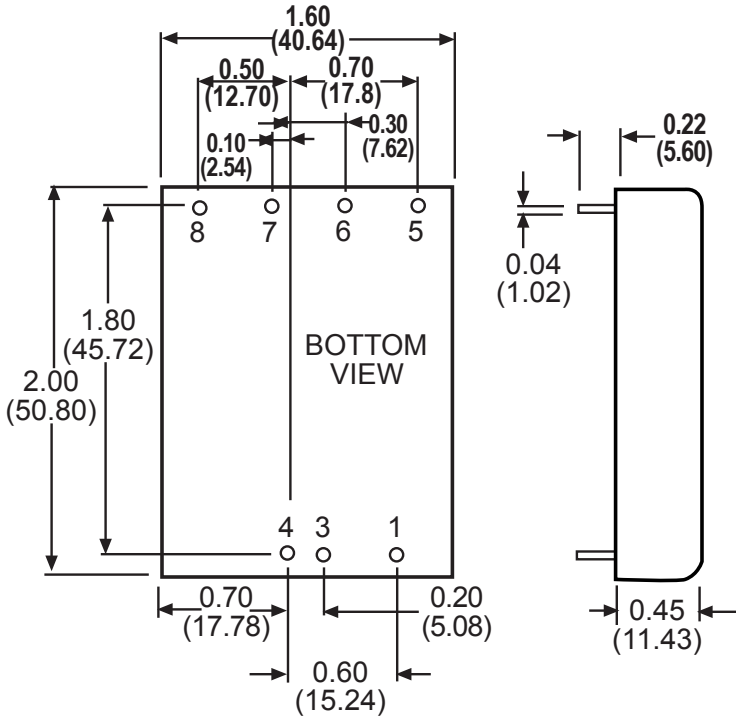


All Dimensions In Inches (mm)

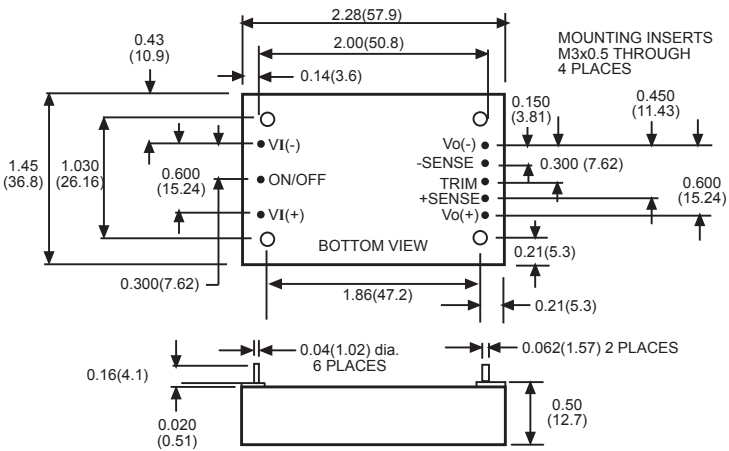
ALL DC-DC CONVERTERS FEATURE:

- ◆ REGULATED OUTPUT(S)
- ◆ PI INPUT FILTER
- ◆ LOW RIPPLE & NOISE

CASE SC

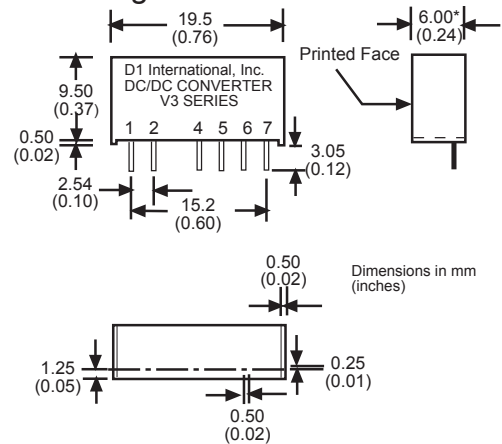


CASE QB

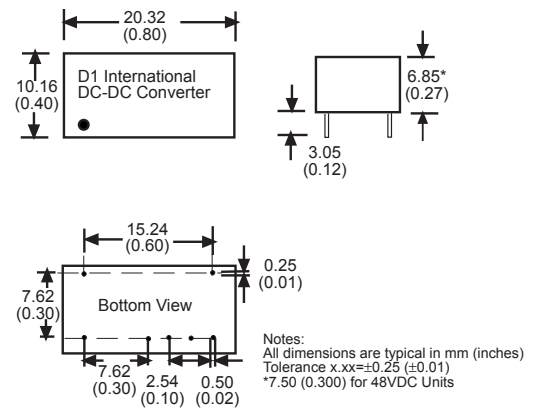


Dimensions inches (mm)
 Tolerance: X.XX inches ± 0.02 inches (X.X mm ± 0.5 mm)
 X.XXX inches ± 0.010 inches (X.XX mm ± 0.23 mm)

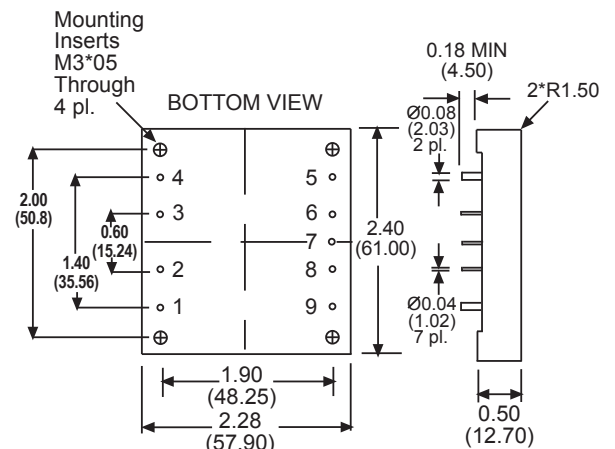
7 Pin SIP Package



14 Pin DIP Package



CASE HB



All dimensions in inches (mm)
 Tolerance: Inches .xx ± 0.02 .xxx ± 0.10 Pin ± 0.02
 Millimeters .x ± 0.5 .xx ± 0.26 Pin ± 0.5



D1 INTERNATIONAL INC.

95 East Main St., Huntington, NY 11743
 631-673-6866 Fax: 631-673-6893
 e-mail: sales@d1international.com
 www.d1international.com